



The Legacy Companies
 3355 Enterprise Avenue, Suite 160, Fort Lauderdale, FL 33331
 Sales: (954) 202-7419 • Sales@TheLegacyCompanies.com
 Tech Service: (877) 368-2797 • Service@MaxxHelp.com

Project Name: _____
 Location: _____
 Item #: _____ Qty: _____
 Model: _____

www.MaximumFoodService.com

80lb SELF CONTAINED ICE MAKER (w/ Integrated Ice Bin)

Model: MIM80

International Model: Add -50 (220V/50Hz/1Ph)
 or -60 (220V/60Hz/1Ph)



Full Slab Ice Cubes
 Inches: 7/8 x 7/8 x 7/8
 mm: 22.2 x 22.2 x 22.2

Self contained ice maker for freestanding or built in undercounter applications. Can produce up to 88 pounds of ice per day (under the right conditions). Includes an integrated 25 pound storage bin with lift up insulated plastic cover. Stainless steel construction provides durability to a unit that is low-maintenance and easy to clean. Front breathing design provides cooling air to the condensing unit. Vertical evaporator and proven ice making technology assures years of reliable ice production. The MIM80 comes with a NEMA 5-15 cord set so it's installation only requires the hookup of a water supply and drain.

ICE PRODUCTION

Air Temp 70°F (21°C) Water Temp 50°F (10°C)
 Daily Ice Production: 88 lbs (40kg)
 Energy Consumption 11.96Kw/100lb of ice produced
 Water Usage 21 gallon/100lb of ice produced

Air Temp 90°F (32°C) Water Temp 70°F (21°C)
 Daily Ice Production: 56 lbs (31kg)

Storage Bin holds 25lbs of ice with automatic overflow prevention
 Gravity Drain connection is required, along with a water supply line.

OPERATING REQUIREMENTS

Ambient Temperature Range 50° to 99°F (10° to 37°C)
 Water Temperature Range 40° to 90°F (4° to 32°C)
 Water Supply Line Connection 3/8" FPT
 Water Pressure Range
 Min PSI 15 Max PSI 75 (above 75 requires a regulator)
 Min Bar 1.0 Max Bar 5.5

FEATURES and CONSTRUCTION

- Exterior Material: Stainless Steel with Black Trim
 - Air Cooled Compressor
 - Programmable, solid state, digital electronic control system.
 - Built-In Self Cleaning Mode for use with nickel safe cleaning solution
 - Includes: Scoop
 Tubing for Supply and Drain Lines
 NEMA 5-15 cord set for simple installation
- *A Water filter is recommended for a more efficient operation with less required maintenance and cleaning.
 * 3rd Party Approvals: ANSI NSF 12, ANSI UL 563 & DOE2017

REFRIGERANT

- CFC & HCFC free R-134A

ELECTRIC

120V/60Hz/1 Ph (NEMA 5-15P)
 (220V/50 or 60Hz/1ph available as an option)



Intertek
 Certified to
 ANSI-NSF 12



Intertek
 Certified to
 ANSI UL 563



Maxx Ice WARRANTY (USA / CANADA)

One (1) year parts
 One (1) year on-site labor
 Five (5) years compressor (part only)
 Administered by The Legacy Companies, 877.368.2797

Due to periodic changes in designs, methods, procedures, policies and regulations, the specifications contained in this sheet are subject to change without notice. While we exercise good faith efforts to provide information that is accurate, we are not responsible for errors or omissions in information provided or conclusions reached as a result of using the specifications. By using the information provided, the user assumes all risks in connection with such use.

The built in performance enhancing functions ensure that given proper attention and preventative maintenance, each Maxx Product will deliver years of trouble free, reliable, low maintenance, efficient operation.

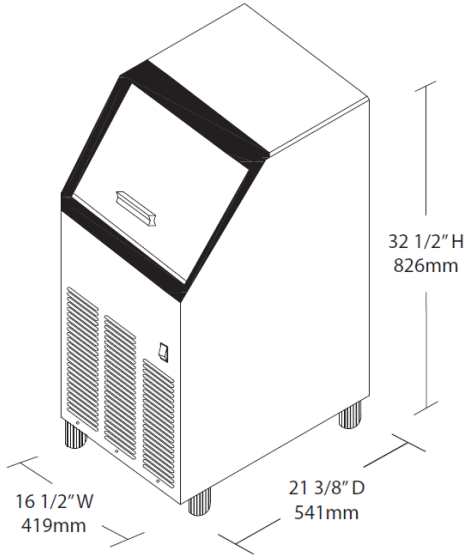


The Legacy Companies
 3355 Enterprise Avenue, Suite 160, Fort Lauderdale, FL 33331
 Sales: (954) 202-7419 • Sales@TheLegacyCompanies.com
 Tech Service: (877) 368-2797 • Service@MaxxHelp.com

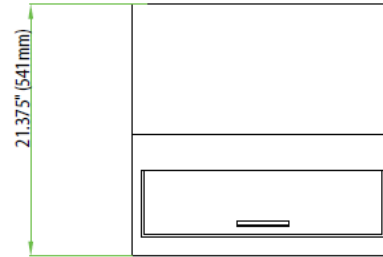
Project Name: _____
 Location: _____
 Item #: _____ Qty: _____
 Model: _____

www.MaximumFoodService.com

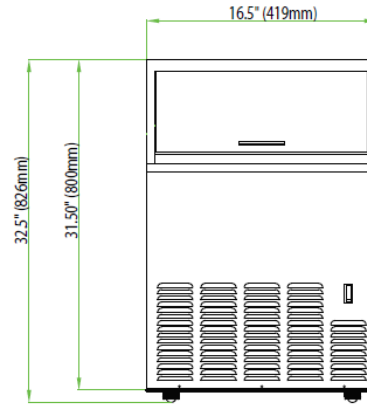
80lb SELF CONTAINED ICE MAKER (w/ Integrated Ice Bin)



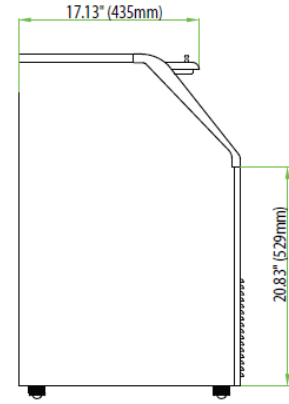
Top View



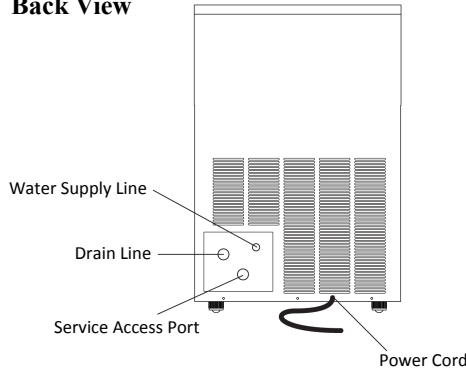
Front View



Side View



Back View



MIM80	
In: External Dimensions W x D x H	16.5 x 21.375 x 32 .5
mm: External Dimensions W x D x H	419 x 541 x 826
Electrical Amp Draw	
120V	11.3 max (normal or nominal draw 6.4 amps)
220V	6.3 max (normal or nominal draw 3.5 amps)
Unit Weight	93 lb / 42kg
Shipping Weight	104 lb / 47 kg
Production based on ambient conditions	
50°F Water / 70°F Air	Up to 88 lbs of ice/day
70°F Water / 90°F Air	Up to 56 lbs of ice/day
Ice Cube Produced	Full Size Slab Cube

Due to periodic changes in designs, methods, procedures, policies and regulations, the specifications contained in this sheet are subject to change without notice. While we exercise good faith efforts to provide information that is accurate, we are not responsible for errors or omissions in information provided or conclusions reached as a result of using the specifications. By using the information provided, the user assumes all risks in connection with such use.